



Building Permit Application
Solid-Fuel Fired Installation

Owners Name _____ Phone _____
Mailing Address _____
Contractors Name _____ Phone _____
Lot _____ Con _____ Plan # _____ Part _____
_____ Road/ Street, on the _____ side
between _____ and _____

Value of Construction \$ _____

- 1. Chimney Type _____ Size _____
Clearances: Vertical _____ Horiz. _____ Peak _____
2. Flue Pipe Type _____ Size _____
Clearances: (see reverse)
2 a) Walls _____
2 b) Ceilings _____
3. Stove Manufacturer _____ Model _____
Approval: CSA _____ ULC _____ WH _____ Other _____
Clearances: Recommended (See attached page)
3a) Top _____
3b) Front _____
3c) Sides _____
3d) Back _____
4. Fire Protection Ceiling _____ Walls _____
Floors _____ Hearth _____

All of the statements and representations contained in the attached documents filed in support of this application shall be deemed part of this application for all purposes. Sufficient information shall be submitted with each application to enable the Chief Building Official to determine whether or not the proposed work will conform with the Building Code Act and regulations thereunder and any other applicable law.

DECLARATION

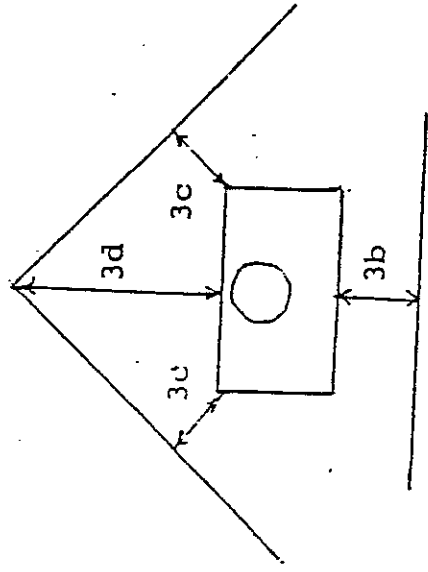
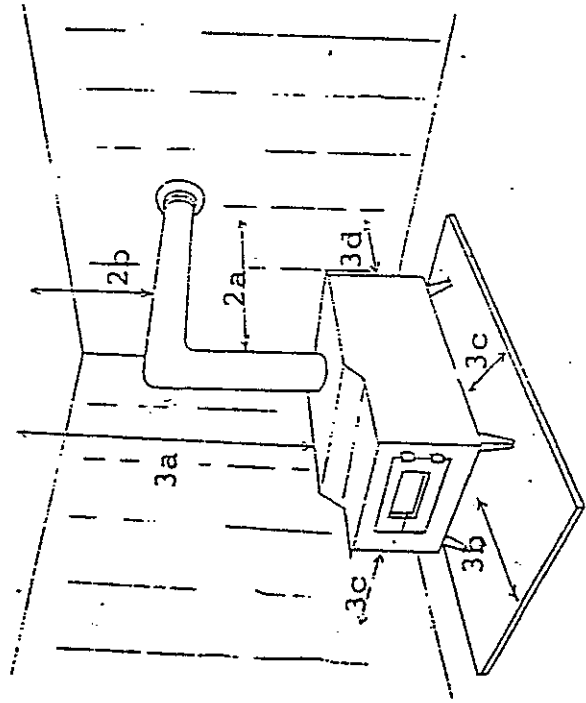
I, the undersigned, _____, am the authorized owner/agent of the owner named in the above application and I certify the truth of all the statements or representations contained therein.

I understand that the issuance of a permit shall not be deemed a waiver of any of the provisions of any by-laws or requirements of the Building Code Act or regulations made thereunder, notwithstanding anything included in or omitted from the plans or other material filed in support of or in connection with the above application.

I acknowledge that in the event a permit is issued, any departure from plans, specifications or building locations proposed in the above application is prohibited and such could result in the permit being revoked.

I further acknowledge that in the event the permit is revoked for any cause or irregularity or nonconformity with by-laws or requirements of the Building Code Act, or regulations made thereunder, there shall be no right of claim whatsoever against the municipal corporation or any official thereof and any such claim is hereby expressly waived.

_____, Ontario _____, 20____ Signature of Owner or Authorized Agent



CORNER INSTALLATIONS